



Buy it for looks. Buy it for life.®

### DESCRIPTION

- Metal construction with chrome plated finish
- Flexible supplies with 1/2" compression fittings

### OPERATION

- Lever style handle
- Operates with less than 5 lbs. of force

### FLOW

- Aerator is limited to 1.5 gpm max (5.7 L/min)

### CARTRIDGE

- 1255™ Duralast® cartridge for Single-Handle Faucets
- Nonmetallic/nonferrous and stainless steel material

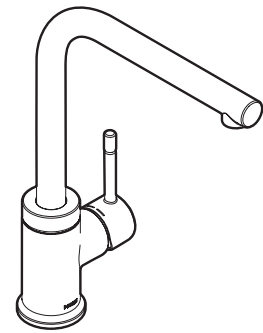
### STANDARDS

- Third party certified to ASME A112.18.1/CSA B-125.1 and all applicable requirements referenced therein
- Certified to NSF 61 & 372
- Complies with California Proposition 65 and with the Federal Safe Drinking Water Act
- ADA ♿ for lever handle

### WARRANTY

- Limited lifetime warranty against leaks, drips and finish defects to the original consumer purchaser
- 5 year warranty if used in commercial installations

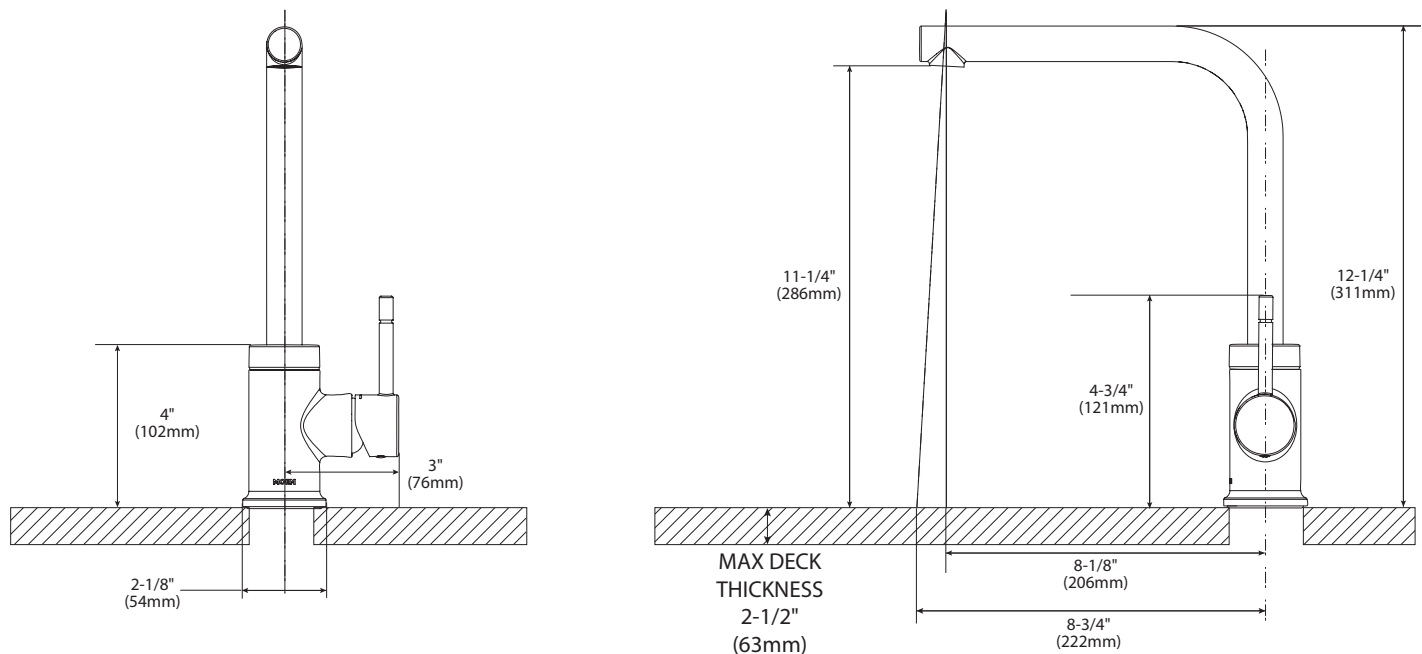
# Specifications



## Charmant™ Single Handle Lever Kitchen Faucet

**Model:** 7372 series

**NOTE:** 7372 SERIES IS DESIGNED TO  
INSTALL THROUGH 1 HOLE  
1-1/4" (32mm) MIN. DIAM.



## CRITICAL DIMENSIONS

(DO NOT SCALE)