



Buy it for looks. Buy it for life.®

DESCRIPTION

- Metal construction with chrome plated finish
- Flexible supplies with 1/2" compression fittings

OPERATION

- Lever style handle
- Operates with less than 5 lbs. of force

FLOW

- Aerator is limited to 1.5 gpm max (5.7 L/min)

CARTRIDGE

- 1255™ Duralast® cartridge for Single-Handle Faucets
- Nonmetallic/nonferrous and stainless steel material

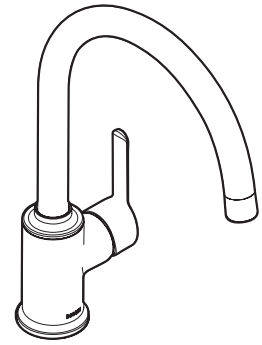
STANDARDS

- Third party certified to ASME A112.18.1/CSA B-125.1 and all applicable requirements referenced therein
- Certified to NSF 61 & 372
- Complies with California Proposition 65 and with the Federal Safe Drinking Water Act
- ADA ♿ for lever handle

WARRANTY

- Limited lifetime warranty against leaks, drips and finish defects to the original consumer purchaser
- 5 year warranty if used in commercial installations

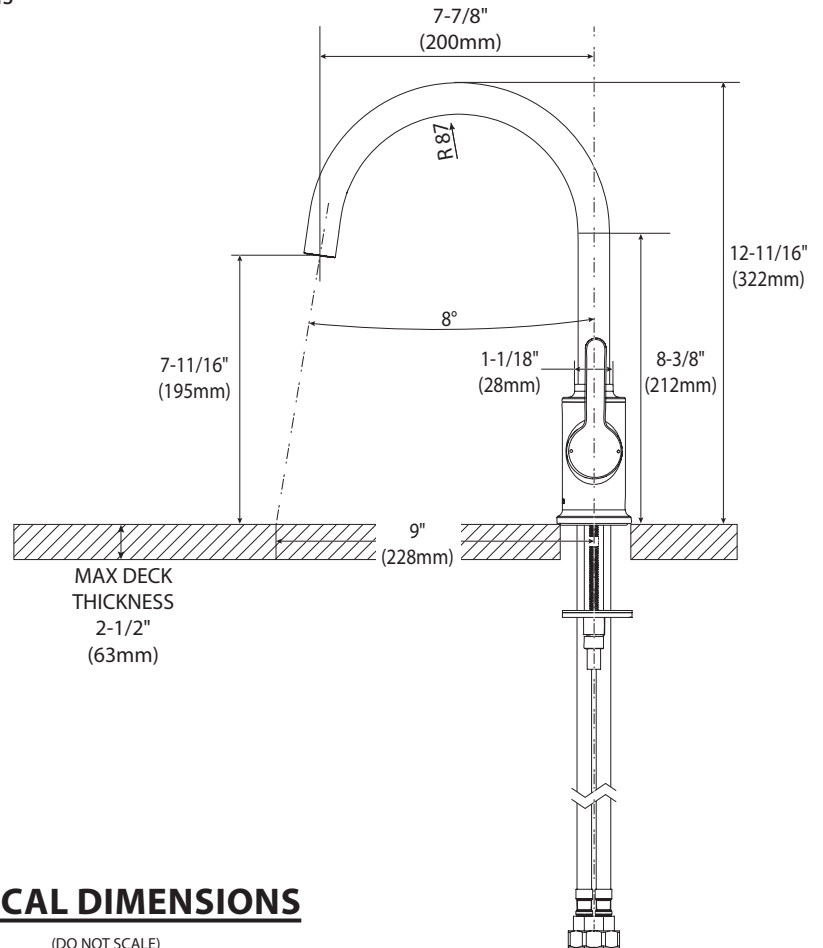
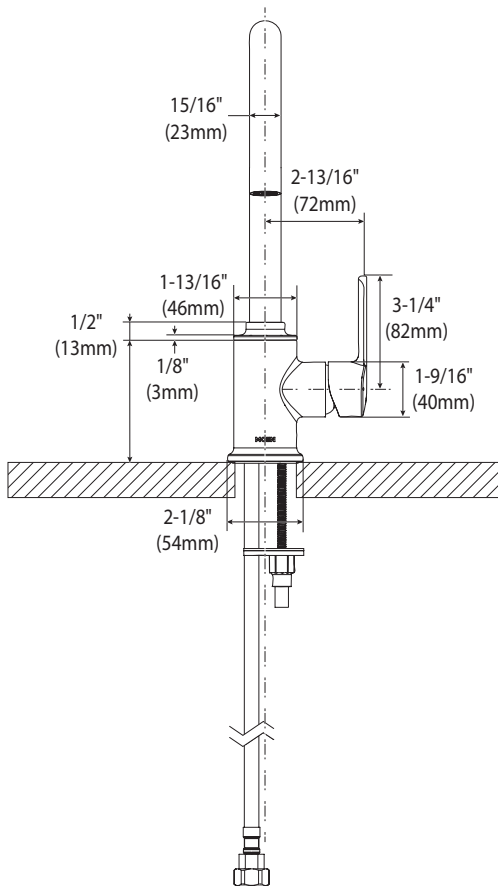
Specifications



**Essence™
Single Handle Lever
Kitchen Faucet**

Model: 7370 series

NOTE: 7370 SERIES IS DESIGNED TO
INSTALL THROUGH 1 HOLE
1-1/4" (32mm) MIN. DIAM.



CRITICAL DIMENSIONS

(DO NOT SCALE)