

MOEN®

There is more than one version of this model.
Page down to identify the version you have.

FAUCET DESCRIPTION

- Metal construction with chrome finish
- Flexible supply lines with 3/8" compression fittings (1/2" options)

OPERATION

- Lever style handle
- Temperature controlled by 100° arc of handle travel
- Includes hot & cold temperature indicators

FLOW

- Flow is limited to 1.2 gpm max (4.5 L/min) at 60 psi

CARTRIDGE

- 1255™ Duralast™ cartridge
- Nonmetallic/nonferrous and ceramic material

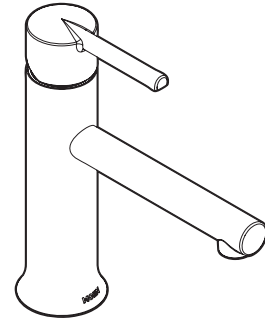
STANDARDS

- Third party certified to WaterSense®, ASME A112.18.1/CSA B125.1, and all applicable requirements referenced therein
- Certified to NSF 61/9 & 372
- Compliant with California water efficiency regulations
- Complies with California Proposition 65 and with the Federal Safe Drinking Water Act
- ADA ♿ for lever handle

WARRANTY

- Lifetime limited warranty against leaks, drips and finish defects to the original homeowner
 - 10 year limited warranty when used in a multifamily installation
 - 5 year limited warranty when used in a commercial installation
- Visit www.moen.com/support for complete details and limitations

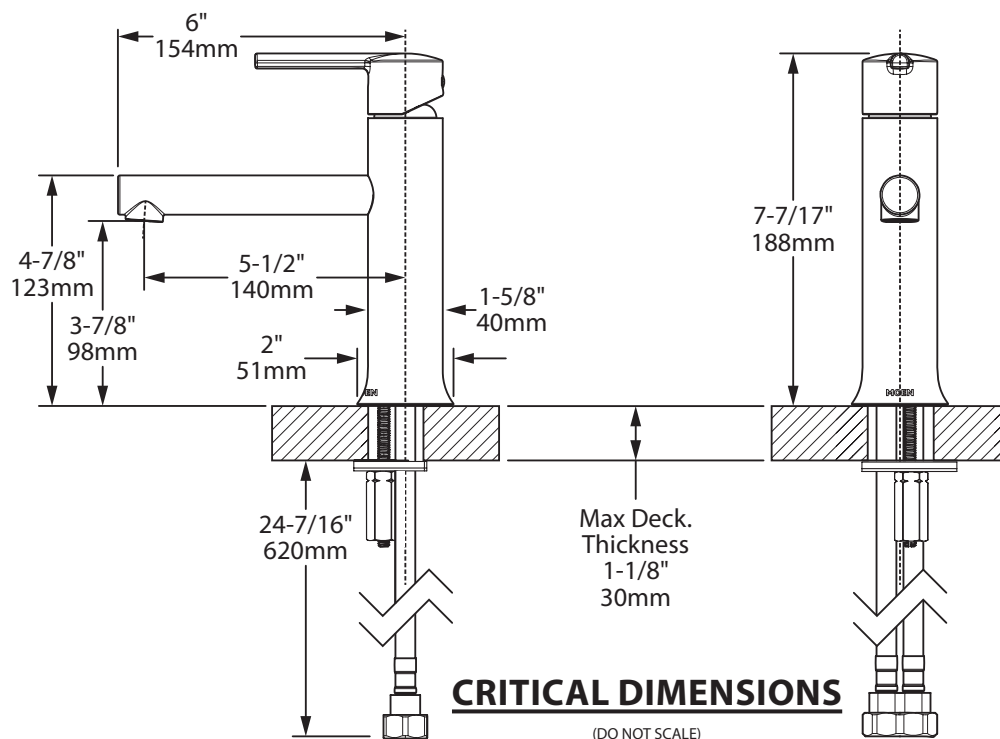
Specifications



Arlys™
Single-Handle Lavatory Faucet

Model: 6770

NOTE: THIS FAUCET IS DESIGNED TO BE INSTALLED THROUGH 1 HOLE, 1-1/4" MIN. DIA.



FAUCET DESCRIPTION

- Metal construction with chrome finish
- Flexible supply lines with 3/8" compression fittings (1/2" options)

OPERATION

- Lever style handle
- Temperature controlled by 100° arc of handle travel
- Includes hot & cold temperature indicators

FLOW

- Flow is limited to 1.2 gpm max (4.5 L/min) at 60 psi

CARTRIDGE

- 1255™ Duralast™ cartridge
- Nonmetallic/nonferrous and ceramic material

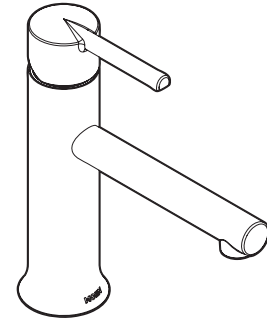
STANDARDS

- Third party certified to WaterSense®, ASME A112.18.1/CSA B125.1, and all applicable requirements referenced therein
- Certified to NSF 61/9 & 372
- Compliant with California water efficiency regulations
- Complies with California Proposition 65 and with the Federal Safe Drinking Water Act
- ADA ♿ for lever handle

WARRANTY

- Lifetime limited warranty against leaks, drips and finish defects to the original homeowner
- 10 year limited warranty when used in a multifamily installation
- 5 year limited warranty when used in a commercial installation

Visit www.moen.com/support for complete details and limitations



Arlys™
Single-Handle Lavatory Faucet

Model: 6770

NOTE: THIS FAUCET IS DESIGNED TO BE INSTALLED THROUGH 1 HOLE, 1-1/4" MIN. DIA.

