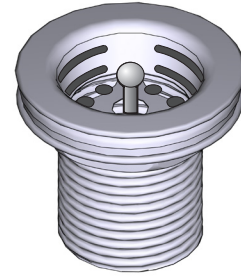


### DESCRIPTION

- Metal construction with stainless finish
- Drain for stainless sinks
- Fits sinks with a standard 2" outlet
- Coordinates with today's popular kitchen appliances and accessories

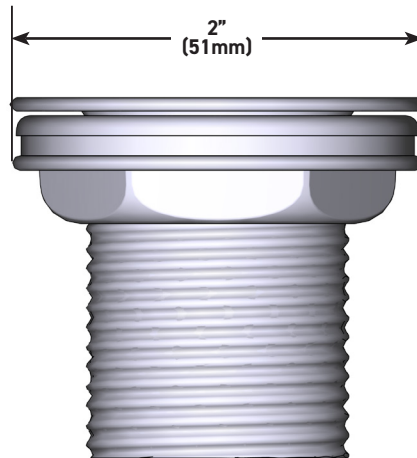
### WARRANTY

- Lifetime limited warranty against leaks, drips and finish defects to the original homeowner
- 10 year limited warranty when used in a multifamily installation
- 5 year limited warranty when used in a commercial installation
- Visit [www.moen.com/support](http://www.moen.com/support) for complete details and limitations



Moен Stainless Steel Basket Strainer With Drain Assembly 2"

**MODEL:** 22174



**CRITICAL DIMENSIONS** DO NOT SCALE