



JOB NAME: \_\_\_\_\_ SPECIFIER: \_\_\_\_\_ PCS: \_\_\_\_\_  
DATE REQUIRED: \_\_\_\_\_ NOTE: \_\_\_\_\_

## EB-23024

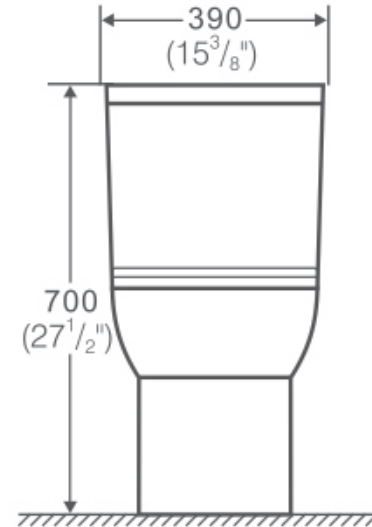
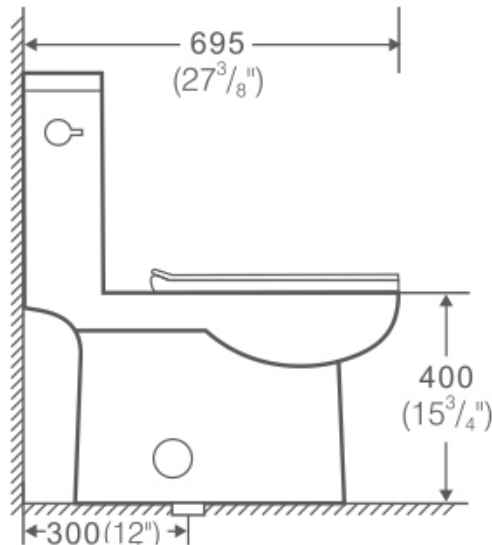
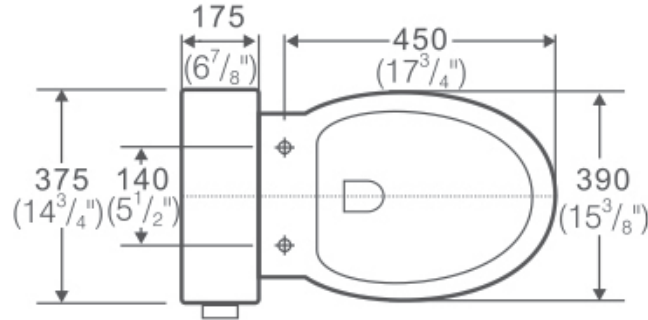
- Vitreous china
- S-trap, 12" roughing-in
- 17 3/4" from seat bolt to front
- 15 3/4" height of bowl
- 1.6 / 1.1 gpf Dual Flush
- Nominal Dimensions:  
• 27 3/8" x 15 3/8" x 27 1/2"

COLOR: WHITE

## CODES & STANDARDS

Meets or exceeds the following:

- ASME A112.19.2-2013
- IAPMO/cUPC
- HET (High Efficiency Toilet)
- EPA WaterSense



Dimensions may vary (+) or (-) 1/4". Dimensions shown in parentheses are in millimeters: 25.4 mm = 1 inch. Note: Fixture dimensions are nominal and conform with dimension and performance requirements of ASME A112.19.2-2013/CSA B45.1-13 standards. Emory & Bond is not responsible for the use of superseded or voided specification information.

[www.emorybond.com](http://www.emorybond.com)

### Customer Support:

Call : (973)-482-4444

e-mail: [info@emoryandbond.com](mailto:info@emoryandbond.com)



@emoryandbond