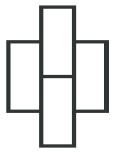


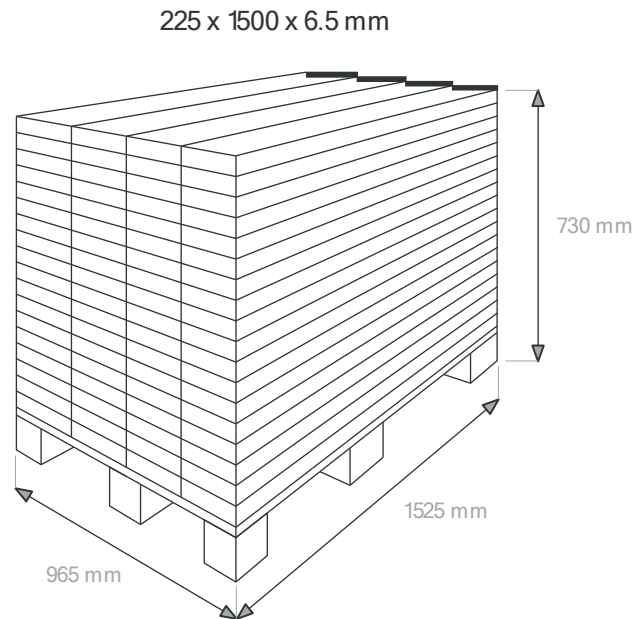
Característica		Normativa	Resultado
	Click system		UNILIN
	Size		225 x 1500 mm
	Total thickness		6.5 mm
	Backing		1.5 mm EVA + PE
	Wear layer		0.70 mm
	Bevel		Bisel micro
	Classification EN429		33 / 42
	Wear group EN649:2011		T
	Colour fastness to light EN ISO105 B02:2014		6
	Dimensional stability ISO23999:2018	Manufacturing direction Across-manufacturing direction	Longitudinal direction <b>0.05 %</b> Transversal direction <b>0.015 %</b>
	Curling after heat exposure ISO23999:2018		0 mm
	Fire behavior EN 13501-1-2018 Clause 9, EN ISO 9239-1:2010, EN ISO 11925-2:2010,COR1-2011		R10
	Slip resistance DIN 51130:2014-02		Bfl-s1
	Castor chair test EN ISO 4918:2016		OK
	Determination of residual indentation EN ISO 24343-1:2007 (R2015)		< 0.21 mm
	Staining and resistance to chemicals EN 26987:2012		APTO
	Dynamic coefficient of friction on dry floor surface EN 13893:2002		DS (≥ 0.30°)
	Movement of furniture leg resistance EN 424:2001		APTO
	VOC emission testing EN ISO 16000-9:2006 / COR-1-2007, ISO 16000-6:2001		A+
	Thermal conductivity and thermal resistance EN 12664:2001		0.106 W/(m.K)   0.057(m².K)/W
	Improvement of impact sound ISO 10140-1:2016		19 dB
	Sound insulation ISO 717-2:2013		19 dB
	Warranty domestic use*		MAX. 38°C
	Warranty comercial use*		20
			10



Logistical data

# niüten

Lama madera XL	
Size	<b>225 x 1500 mm</b>
Thickness	<b>6.5 mm</b>
Kg / sqm	<b>5 ud.</b>
Tiles / Box	<b>1.687 m<sup>2</sup></b>
Box / Pallet	<b>10.48 Kg</b>
Pallets / Container	<b>17.7 Kg</b>
Sqm / Box	<b>48</b>
Sqm / Pallet	<b>80.976 m<sup>2</sup></b>
Sqm / Containe r	<b>849.6 Kg</b>



**UNICLIC**  
UNILIN LICENSE: C7605

