

DESCRIPTION

- Metal construction with various finishes identified by suffix
- Includes metal pop-down type waste assembly
- Flexible supplies with 3/8" compression fittings

OPERATION

- Pivot action lever style handle
- Temperature controlled by 100° arc of handle travel

FLOW

- Water usage is limited to these maximum flow rates as indicated by the corresponding product markings
 - ° 1.2 gpm max (4.5L/min) at 60 psi
 - ° 1.5 gpm max (5.7L/min) at 60 psi

CARTRIDGE

- 1255™ Duralast™ cartridge for Single-Handle Faucets

STANDARDS

- Third party certified to WaterSense,® ASME A112.18.1/CSA B125.1, and all applicable requirements referenced therein
- Certified to NSF 61/9 & 372
- products marked with 1.2 gpm are compliant with California water efficiency regulations
- Complies with California Proposition 65 and with the Federal Safe Drinking Water Act
- ADA ♿ for lever handle

WARRANTY

- Lifetime limited warranty against leaks, drips and finish defects to the original consumer purchaser
- 5 year warranty if used in commercial installations

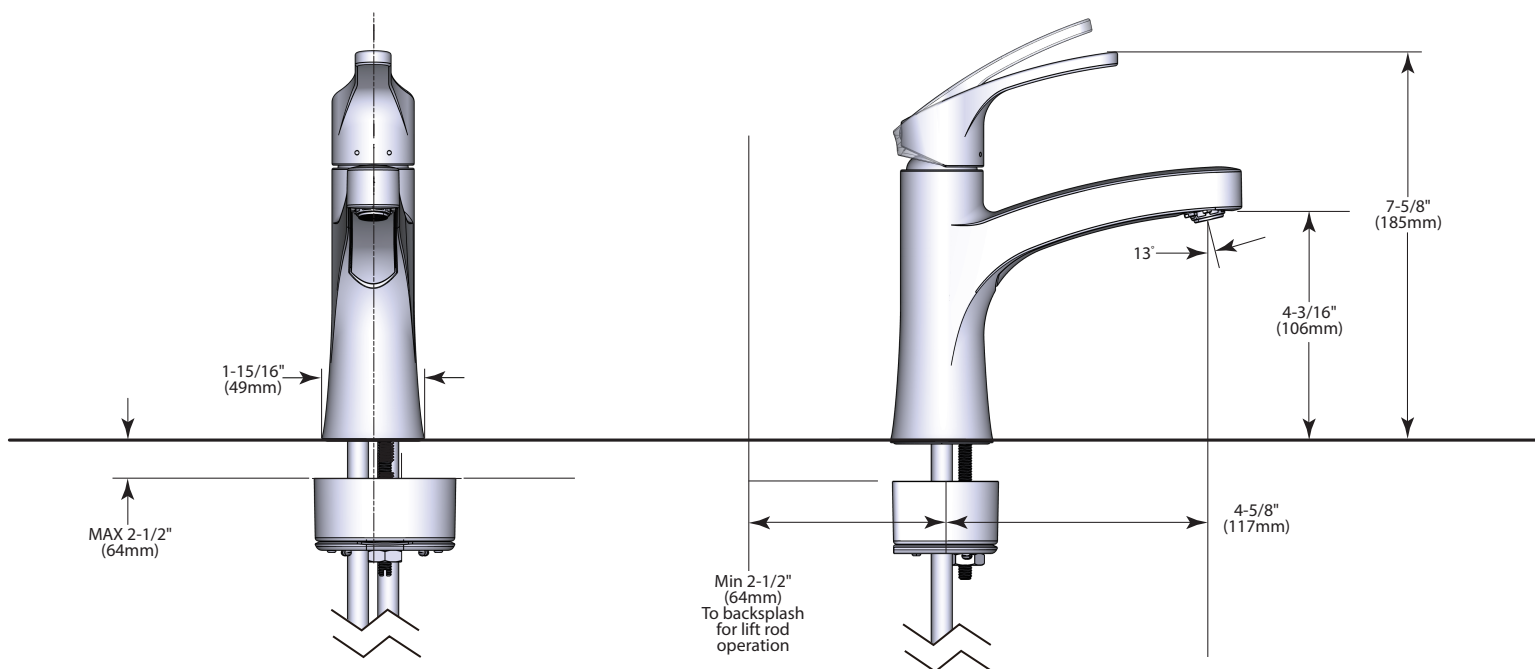


KLIO™ / DANIKA 2.0™

Single-Handle Lavatory Faucet

MODELS: 66480 Series / 6470 Series

NOTE: THIS FAUCET IS DESIGNED TO BE INSTALLED THROUGH 1 HOLE, 1-1/8" MIN. DIA.



CRITICAL DIMENSIONS DO NOT SCALE